

| REV | REVISION RECORD | ECN | BY | APVD | DATE |
|-----|-----------------|-------|-----|------|----------|
| A | INITIAL RELEASE | 14183 | MAC | JB | 6-26-96 |
| B | PER ECN 14471 | 14471 | MAC | JB | 10-18-96 |

NOTE: UNLESS OTHERWISE SPECIFIED

1. INTERPRET DRAWING IN ACCORDANCE WITH ANSI Y14.5-1982.
2. REMOVED
3. PITCH CONSISTENCY TO BE WITHIN ± 0.005 OVER 3.000 INCHES.
- △ PART TO BE SUPPLIED ON A CONTINUOUS REEL.
5. ALL DIMENSIONS APPLY AFTER PLATING.

PART NUMBER BREAKDOWN

- 0 = UNDER 1 INCH OAL.
- 1 = OVER 1 INCH OAL.

PIN SIZE

8-20

OVERALL LENGTH "L"

PIN LENGTH "P"
ABOVE STAR

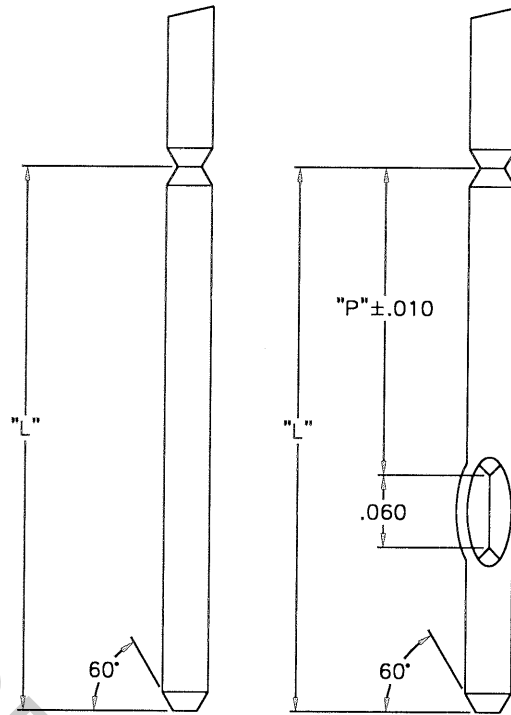
- PIN TYPE (SEE STAR DETAIL)
- 1 = SQUARE PIN
 - 2 = SQUARE PIN WITH STANDARD STAR

FINISH VARIATIONS

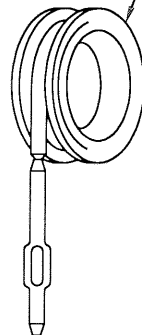
- AA = TIN/LEAD .000120 MIN OVER NICKEL
- BB = GOLD PLATE .000005 OVER NICKEL
- CC = GOLD PLATE .000010 OVER NICKEL
- WW = GOLD PLATE .000015 OVER NICKEL
- DD = GOLD PLATE .000020 OVER NICKEL
- EE = GOLD PLATE .000030 OVER NICKEL

MATERIAL

- 2 = BRASS ALLOY
- 5 = PHOSPHOR BRONZE ALLOY
- 7 = COPPER/NICKEL/TIN ALLOY



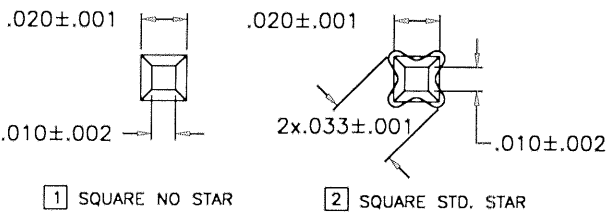
△ REEILING ORIENTATION
AP/2 REEL
(24" O.D. x 20" I.D.)



PIN WITH
NO STAR

PIN WITH
STAR

CUSTOMER DRAWING



STAR DETAIL

| | | |
|--|--|--|
| ALL DIMENSIONS ARE IN INCHES This drawing and the information set forth herein are the property of Autosplice, Inc. and are to be held in trust and confidence. Publication, duplication, disclosure, or use for any purpose not expressly authorized in writing by Autosplice, Inc. is prohibited. | autosplice® AUTOSPSPACE INC. 10121 Barnes Canyon Road San Diego, California 92121 (619) 539-0077 | DRAWN BY MAC M DATE 6-05-96 |
| | DECIMAL: XX = ±.01 XXX = ±.005 | APPROVED BY J BIANCA DATE 6-05-96 |
| ANGULAR: ±5° | SIZE C 0AE89 | PART NO. C8-20[1thru2]0000 |
| | CAD FILE NO. C08-201-23X AND REV. | REV. B SHEET 1 OF 1 |